



ALGT
Antwerp Laboratory for Gemstone Testing

21 March, 2021

ALGT REPORT NUMBER: 89820265

ALGT DIAMOND GRADING REPORT

Identification Natural Diamond
Shape and Cutting Style Round Brilliant
Measurements 4.88 - 4.93 x 3.07 mm

GRADING RESULTS

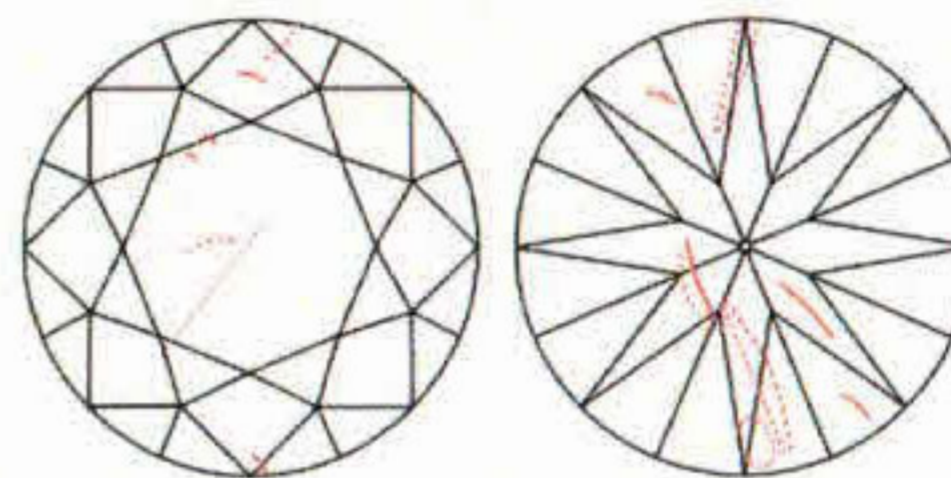
Carat Weight 0.44 Carat
Color Grade Faint Pinkish Brown
Color Origin Natural
Clarity Grade SI2
Cut Grade Very Good

ADDITIONAL GRADING CHARACTERISTICS

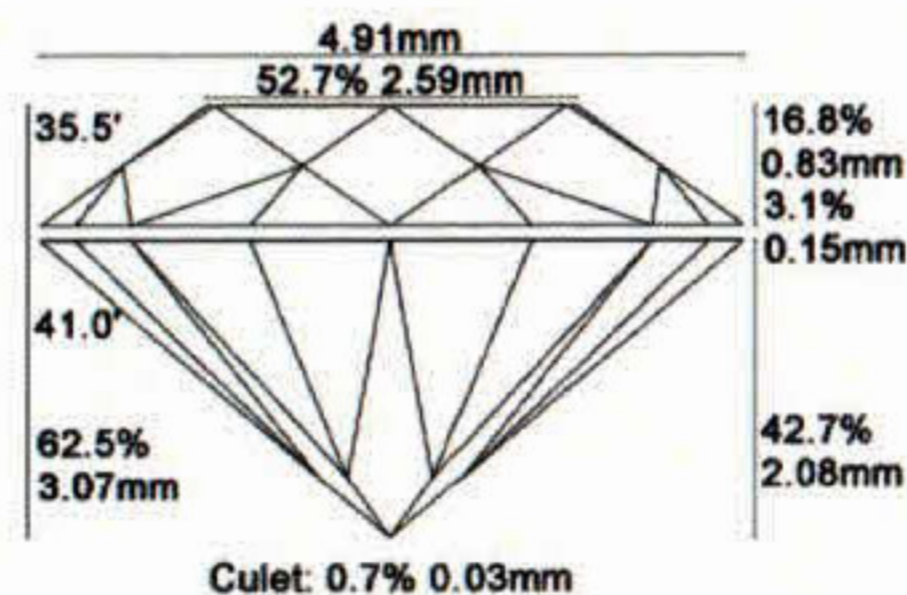
Polish Very Good
Symmetry Very Good
Girdle Thin - Medium
Fluorescence None

COMMENTS

CLARITY CHARACTERISTICS



PROPORTIONS



ALGT GRADING SCALES

| FANCY COLOR SCALE | CAPE COLOR SCALE | CLARITY SCALE | CUT SCALE | | |
|-------------------|------------------|---------------|-----------------------------|-----------|-----|
| Faint | Colorless | D | Internally Flawless (IF) | Excellent | |
| Very Light | | E | | | |
| Light | Near Colorless | F | Very Very Slightly Included | VVS1 | |
| | | G | | | |
| Fancy Light | | H | VVS2 | Very Good | |
| Fancy | Faint | I | Very Slightly Included | | VS1 |
| | | J | | | |
| Fancy Intense | Very Light | K | Slightly Included | VS2 | |
| Fancy Vivid | | L | | | |
| Fancy Deep | | Light | M | Included | I1 |
| | | | N | | |
| Fancy Dark | O | SI1 | Good | | |
| | P | SI2 | | Fair | |
| | Q | I2 | Poor | | |
| | R | | | | |
| | S to Z | I3 | | | |



Please visit our website for more information:
www.algtlabs.com

Reportcheck QR

TERMS AND CONDITIONS ON REVERSE